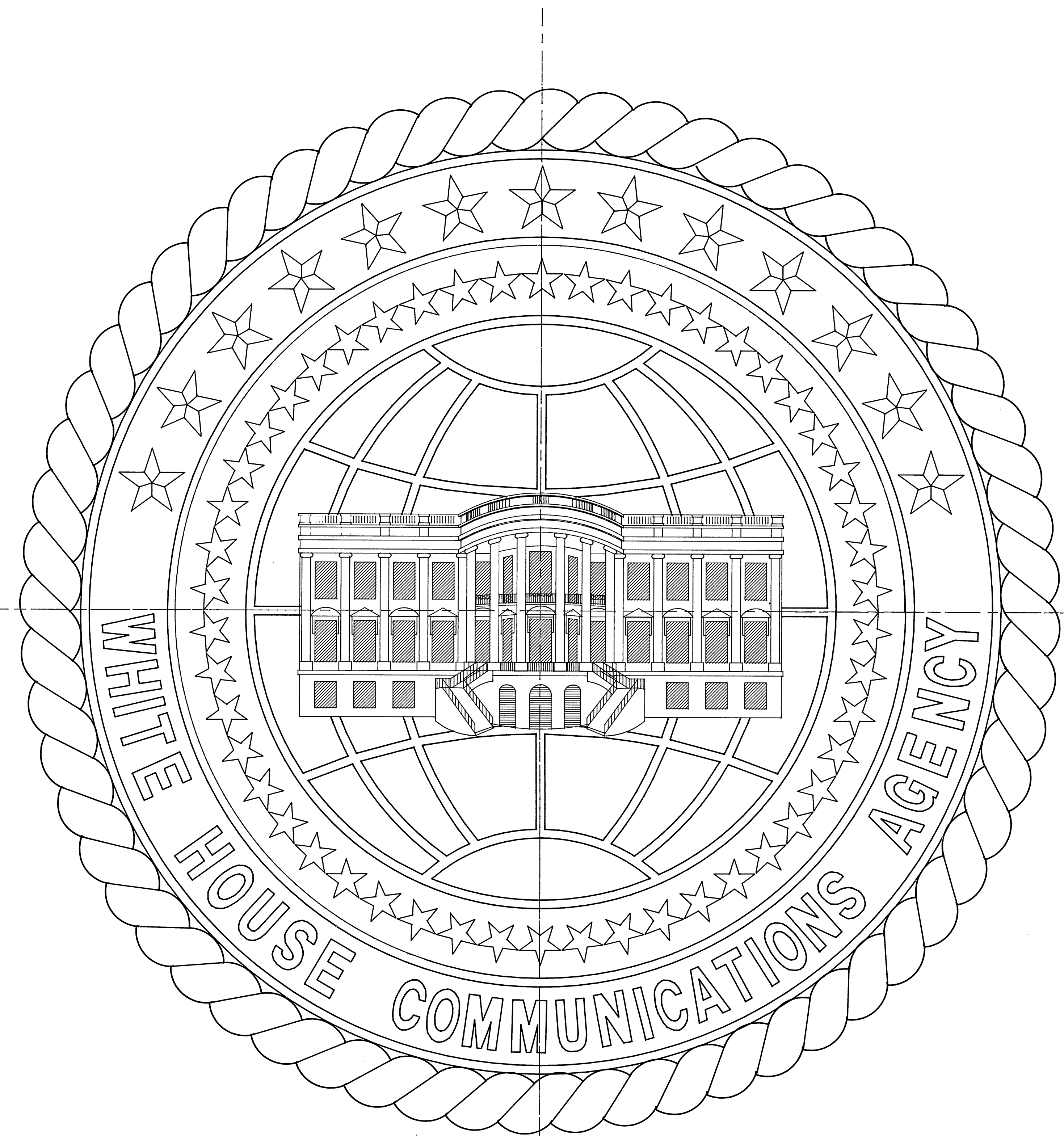
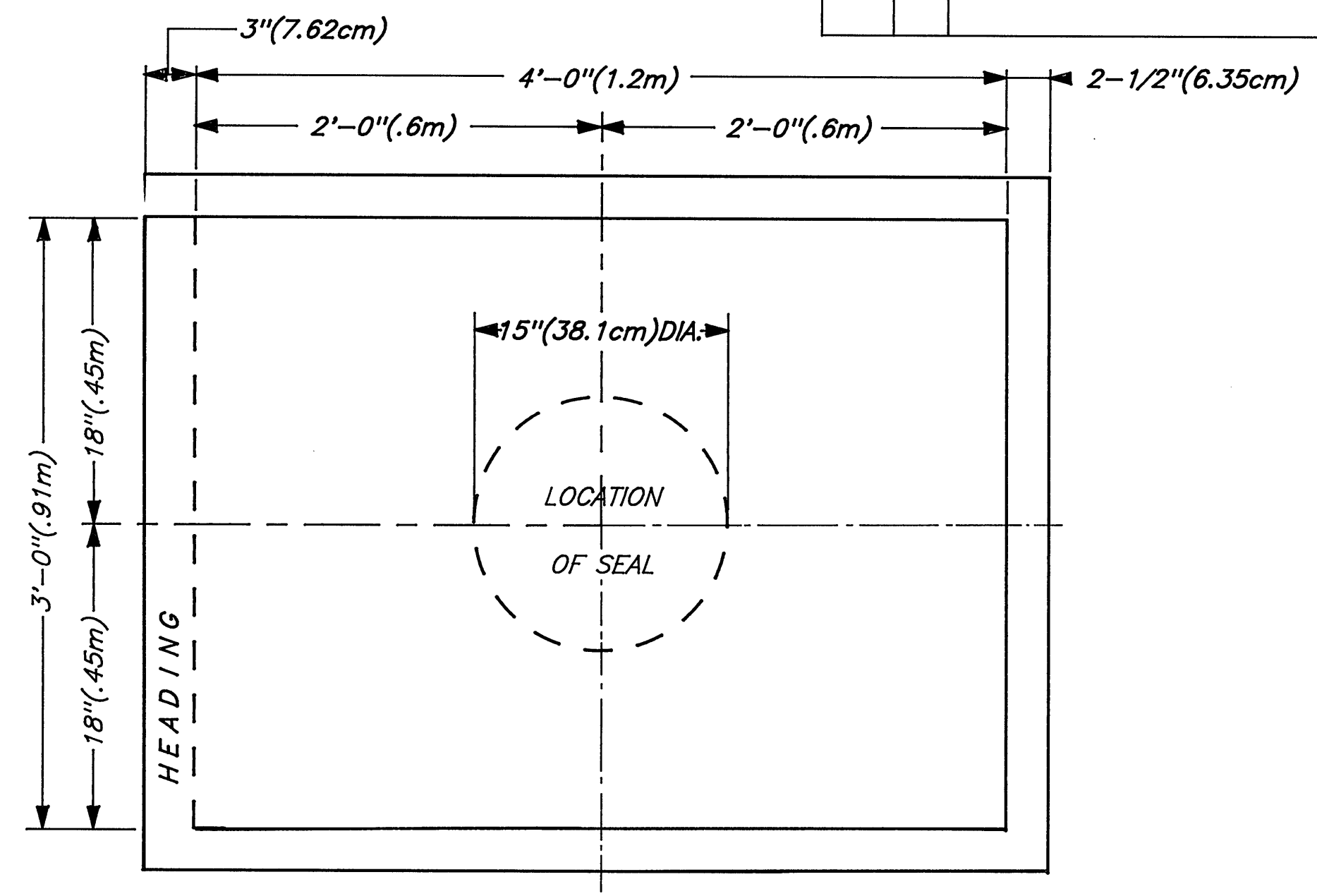


8 7 6 5 4 3 2 1

ZONE	LTR	DESCRIPTION	DATE	APPROVED



**SEAL**  
ACTUAL SIZE

**NOTES**

1. TO BE MANUFACTURED IN ACCORDANCE WITH LATEST REVISION OF SPECIFICATION MIL-F-2692
2. SEAL TO APPEAR ON BOTH SIDES OF THE FLAG AS ILLUSTRATED, EXCEPT ROPE BORDER WILL APPEAR AS IF PRINTED THROUGH.
3. SEAL SHALL BE A COMBINATION OF APPLIQUE AND EMBROIDERY.
4. WHITE HOUSE TO BE APPLIQUE WITH DETAILS SINGLE STITCH OUTLINE EMBROIDERY.
5. ALL DIMENSIONS ARE EXCLUSIVE OF HEMS.
6. FOR HEADING SEE TIOH DWG NO 5-1-45E.

**MATERIALS, COLORS, AND CABLE NUMBERS**

FLAG BASE	RAYON BANNER CLOTH	BLUEBIRD	70211
FRINGE	RAYON, 2 1/2" WIDTH	YELLOW	67008
SEAL			
ROPE BORDER	RAYON APPLIQUE	OLD GOLD	67105
DESIGNATION BAND	RAYON APPLIQUE	ULTRAMARINE BLUE	65010
LETTERS, STARS, & BORDERS	RAYON EMBROIDERY	OLD GOLD	67105
RING FOR STARS	RAYON APPLIQUE	WHITE	80002
STARS & BORDERS	RAYON EMBROIDERY	OLD GOLD	67105
GLOBE	RAYON APPLIQUE	ULTRAMARINE BLUE	65010
GRIDLINES	RAYON EMBROIDERY	OLD GOLD	67105
WHITE HOUSE	RAYON APPLIQUE	WHITE	80002
DETAILS	RAYON EMBROIDERY	NATURAL	67192
WINDOWS (DIAGONALLY SHADED)	RAYON, EMBROIDERY	NATURAL	67192
DOORWAYS (HORIZONTALLY SHADED)	RAYON, EMBROIDERY	SILVER GRAY	67137
RAILINGS ON STAIRWAYS, PORCH, AND BALCONY	RAYON, EMBROIDERY	SILVER GRAY	67137

SUPERSEDES TIOH DWG NO 5-1-714 DTD 5 JULY 1989

UNLESS OTHERWISE SPECIFIED DIMENSIONS ARE IN INCHES TOLERANCES ON FRACTIONS DECIMALS ANGLES	APPROVED	THE INSTITUTE OF HERALDRY, U.S. ARMY CAMERON STATION ALEXANDRIA, VA 22304-5050	
	FOR WHCA	DATE	DISTINGUISHING FLAG <b>WHITE HOUSE COMMUNICATIONS AGENCY</b>
	EXAMINED <i>dp</i>		
	CHECKED JMH		
MATERIALS:	PREPARED RLH	APPROVED	SIZE CODE IDENT. NO. D 22571 <b>5-1-714</b>
		<i>Robert F. Baker</i> ROBERT F. BAKER, COLONEL, GS. DIRECTOR	SCALE DATE 26 OCTOBER 1989